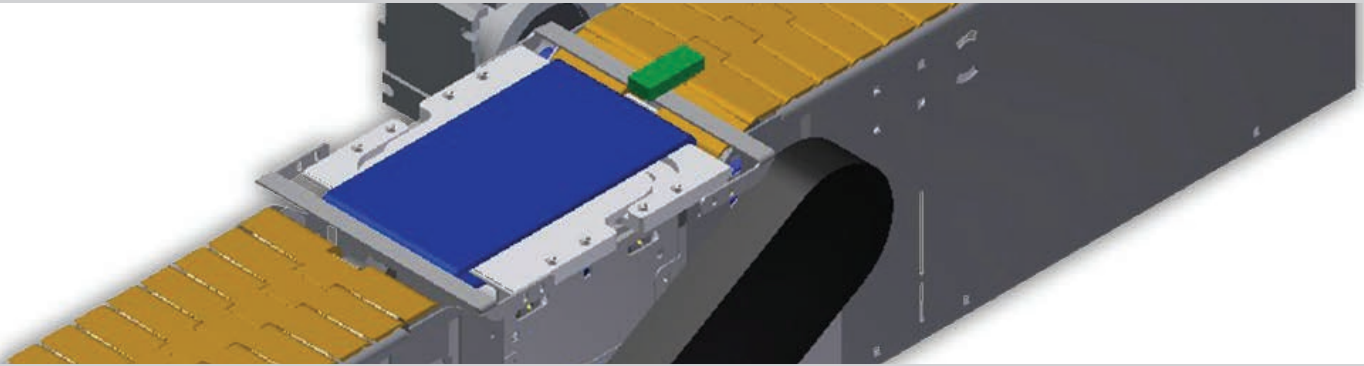


MICRO-TRANSFER CONVEYOR

4", 8", 12" and 18" Chain Widths



WHY MCE

- > **Durable**
- > **Versatile**
- > **Quick & Cost-effective**
- > **Made in the U.S.A.**

ABOUT MCE MICRO-TRANSFER CONVEYOR

Micro-Transfer Conveyors feature standard designs that can be added to any of our standard conveyor types. These transfer devices replace fixed deadplates by providing smooth product transitions between conveyors and other equipment for a wide range of product handling applications. They are especially effective with unstable or irregularly shaped products that can hang-up when transferring between conveyor sections and other packaging machinery.

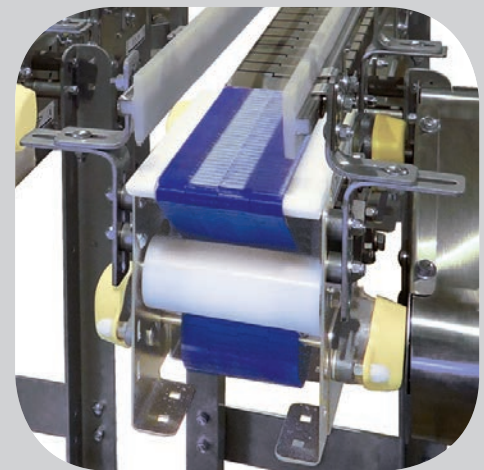
FEATURES

- > Eliminates pinch points and “dead spots” at end-to-end transfers
- > Ideal interface with checkweighers and inspection equipment
- > Adjustable lengths for quick and easy installation
- > Minimum gap between conveyors

MCE Micro-Transfer Conveyor Standard Technical Features



The Micro-Transfer Conveyor can be easily incorporated into existing production lines, helping eliminate production bottlenecks and improving line efficiency with minimal investment.



- > Powered independently to provide precise speed control or slave driven off drive
- > Optimal product transfer and reliable product movement
- > Ships fully assembled

| | |
|----------------------------|---|
| Frame Construction | 12 GA Stainless Steel |
| Belt Material | FDA and USDA Approved Plastics |
| Carryway Adjustment | From 11" - 14" Long |
| Nosebar | 0.14" Radius Minimizes Transfer Gap |
| Motor | High Efficiency Washdown Inverter Duty Gear |

Standard Micro-Transfer Conveyor typically ships in 10-15 business days.

Your local MCE Distributor:



Modular Conveyor Express
600 S. Commercial Street | Neenah, WI 54956
844-293-2816 | Fax: 920-233-3159
www.modularconveyor.com



© 2016 Nercon Eng. & Mfg., Inc. All rights reserved. 8/18 000 LIT-MicroTransSell ENVINK